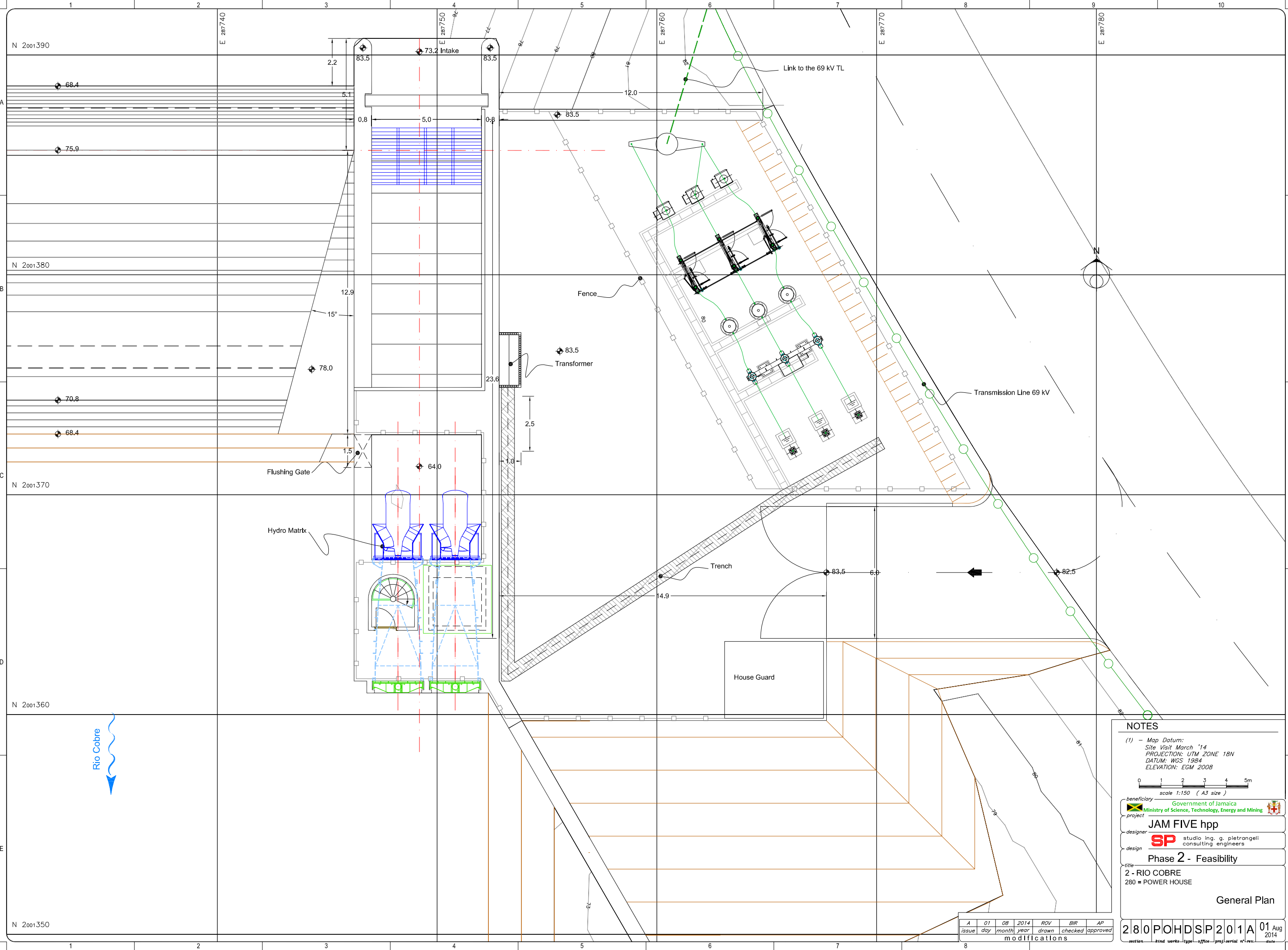


THIS DRAWING IS PROPERTY OF SP AND MAY NOT BE REPRODUCED OR RELEASED TO THIRD PARTIES WITHOUT WRITTEN AUTHORIZATION

Z:\JAMAICA\FIVE hpp\200 FEASIBILITY\280 POWER HOUSE\dwg\280 PHO D.SP 2014.RIO COBRE_General Plan_140902.dwg



NOTES

(1) - Map Datum:
 Site Visit March '14
 PROJECTION: UTM ZONE 18N
 DATUM: WGS 1984
 ELEVATION: EGM 2008

0 1 2 3 4 5m
 scale 1:150 (A3 size)

beneficiary: Government of Jamaica
 project: Ministry of Science, Technology, Energy and Mining

designer: **JAM FIVE hpp**
 design: **SP** studio ing. g. pietrangeli consulting engineers

title: **Phase 2 - Feasibility**
2 - RIO COBRE
 280 = POWER HOUSE

General Plan

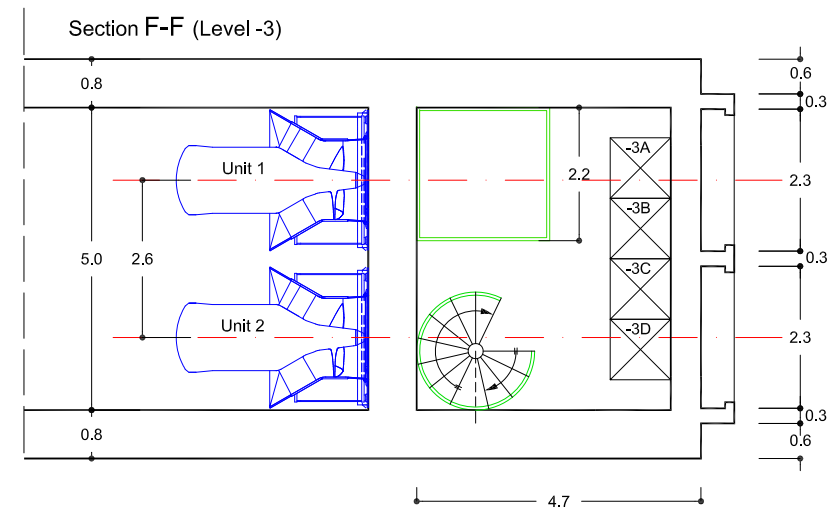
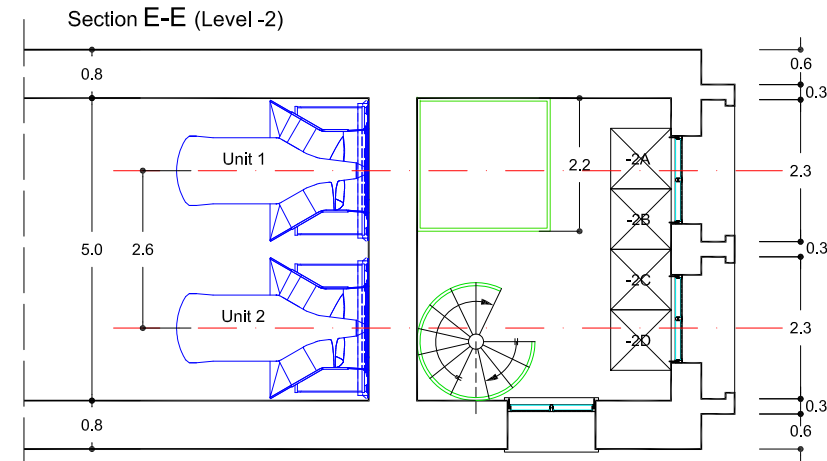
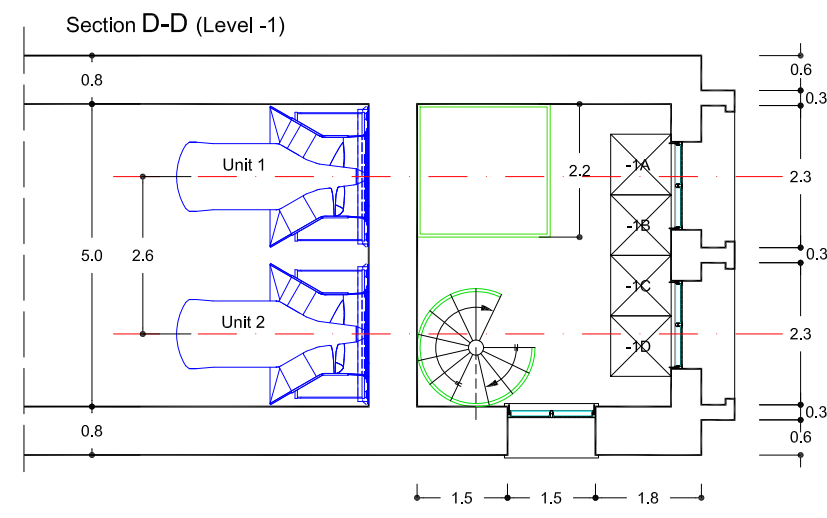
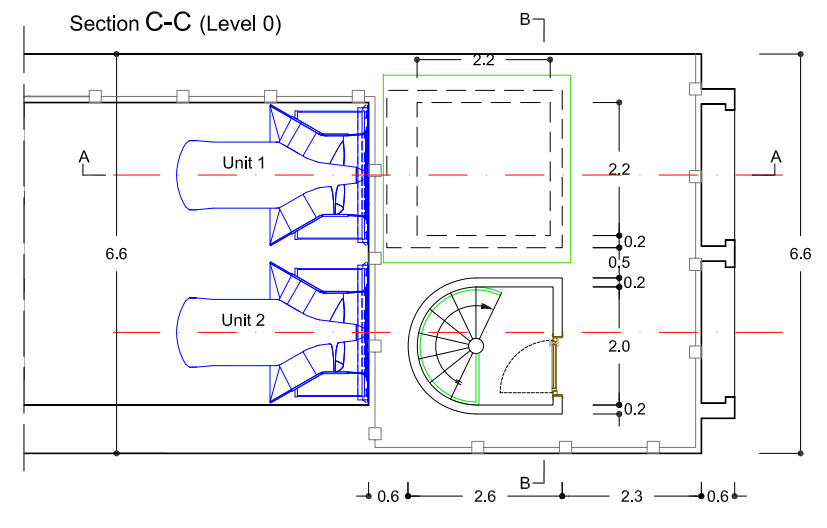
A	01	08	2014	ROV	BIR	AP
issue	day	month	year	drawn	checked	approved
modifications						

280 POH DSP 2014 01 Aug 2014

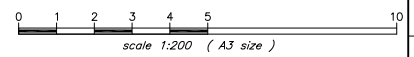
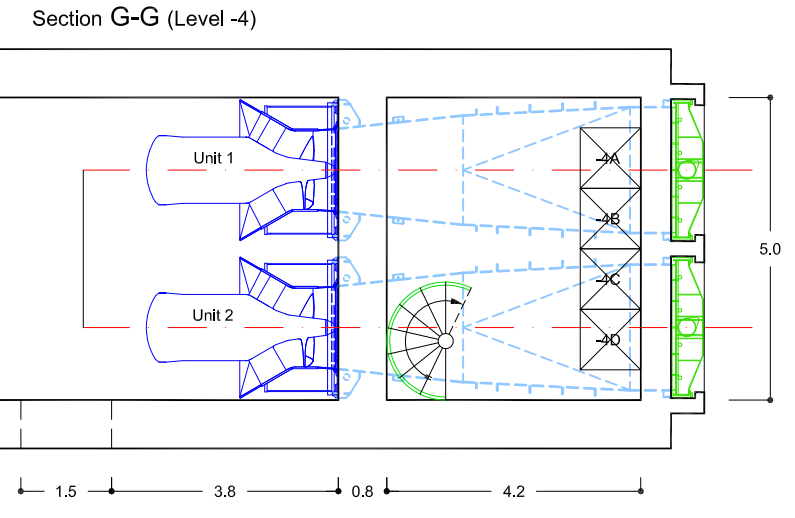
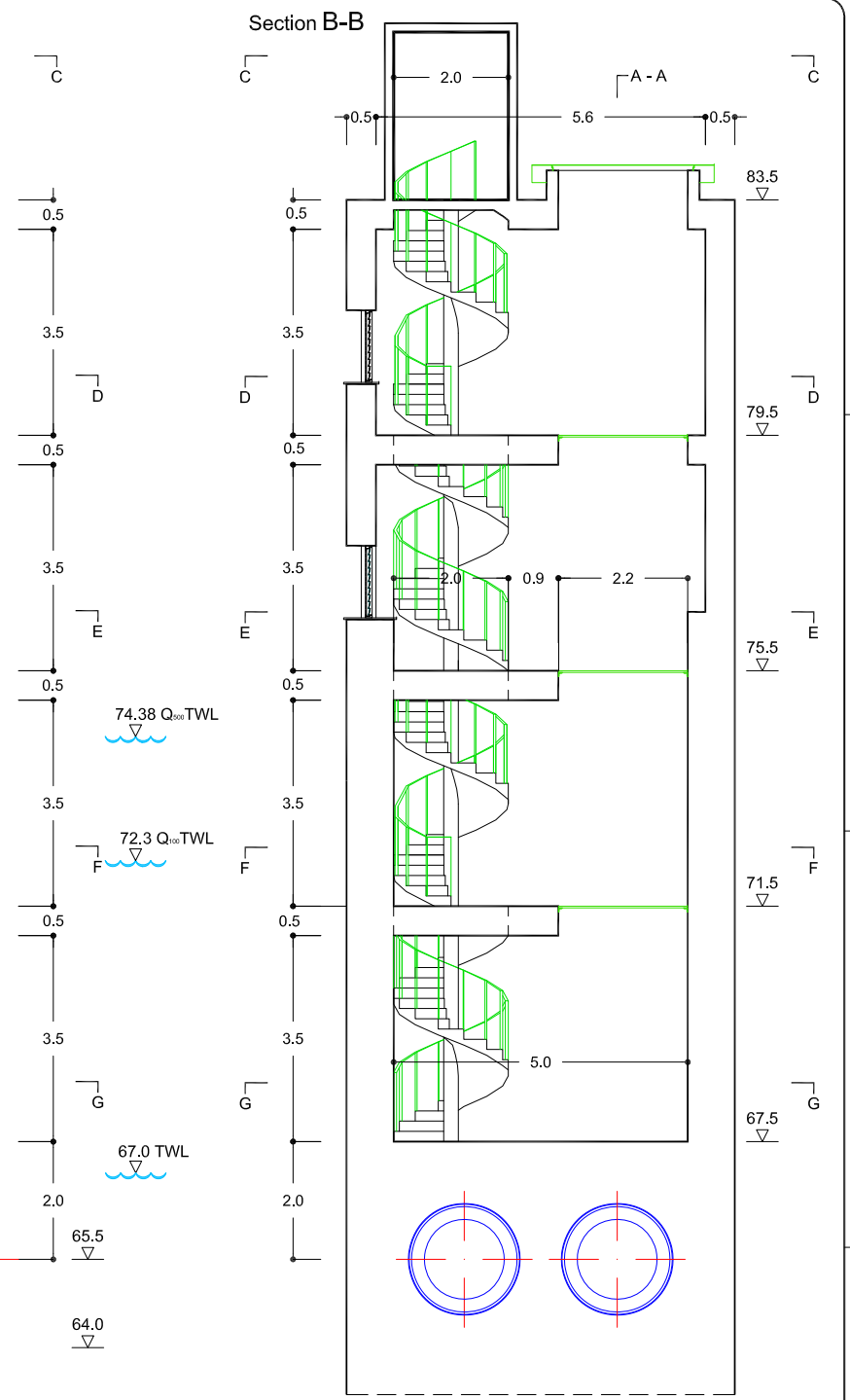
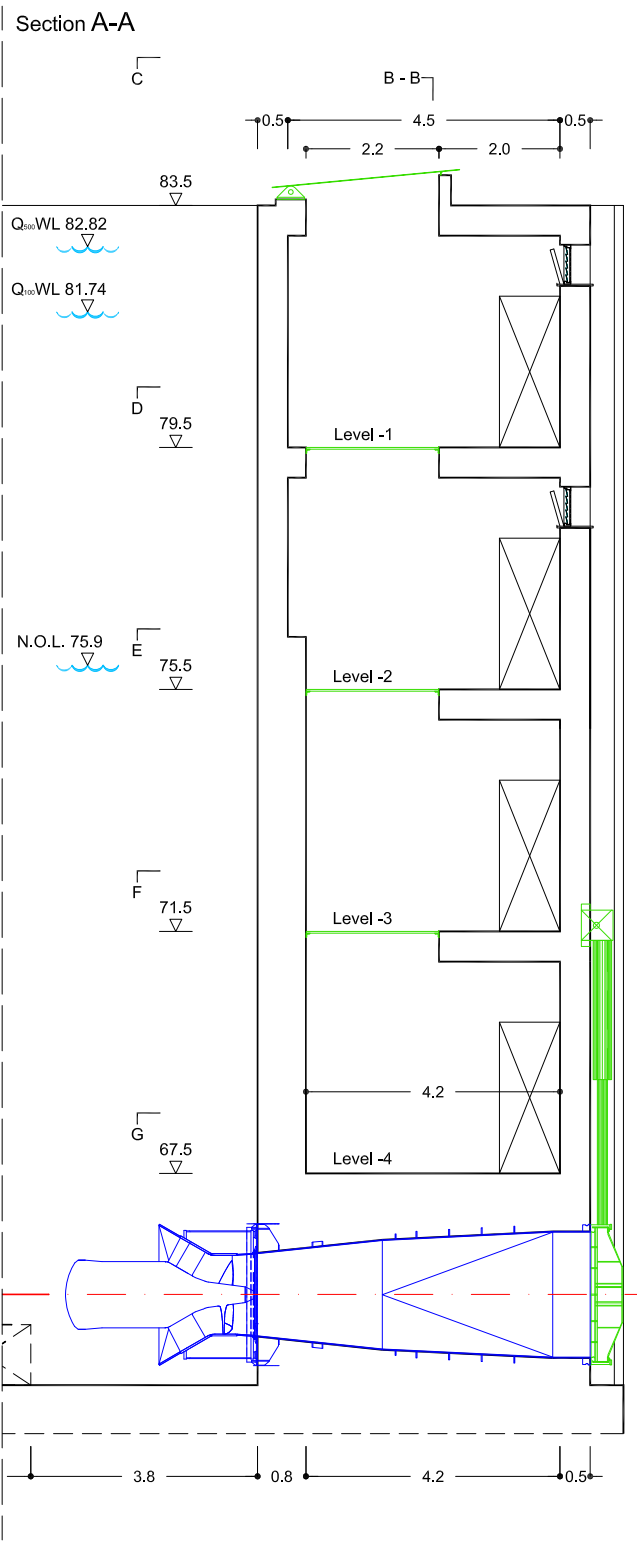
section: ktd work: typ: office: proj: serial: n: rev: date:

THIS DRAWING IS PROPERTY OF SP AND MAY NOT BE REPRODUCED OR RELEASED TO THIRD PARTIES WITHOUT WRITTEN AUTHORIZATION

Z:\JAMAICA_FIVE hpp\200 - FEASIBILITY\280 POWER HOUSE\dwg\280 PHO D.SP.202 C_RIO COBRE_Sections_150113.dwg



LEVEL	DESCRIPTION
-1	A - Switchgear B - Switchgear C - Switchgear D - Switchgear
-2	A - Protection and Control Unit 1 B - Voltage Reg. Board 1 C - Voltage Reg. Board 2 D - Protection and Control Unit 2
-3	A - AC Aux Board B - DC Aux Board C - Main Distribution Switchgear D - Main Distribution Switchgear
-4	A - Gate Hydraulics Units B - Gate Control Board C - Turbine — Board 1 D - Turbine — Board 2



NOTES

beneficiary	Government of Jamaica
project	Ministry of Science, Technology, Energy and Mining
designer	JAM FIVE hpp
design	SP studio ing. g. pietrangeli consulting engineers
title	Phase 2 - Feasibility
	2 - RIO COBRE
	280 = POWER HOUSE

Plan and Sections

issue	day	month	year	drawn	checked	approved	modifications
C	13	01	2015	GIU	BIR	AP	
B	20	10	2014	GIU	BIR	AP	
A	01	08	2014	ROV	BIR	AP	

280 POH D SP 202 C 13 Jan 2015